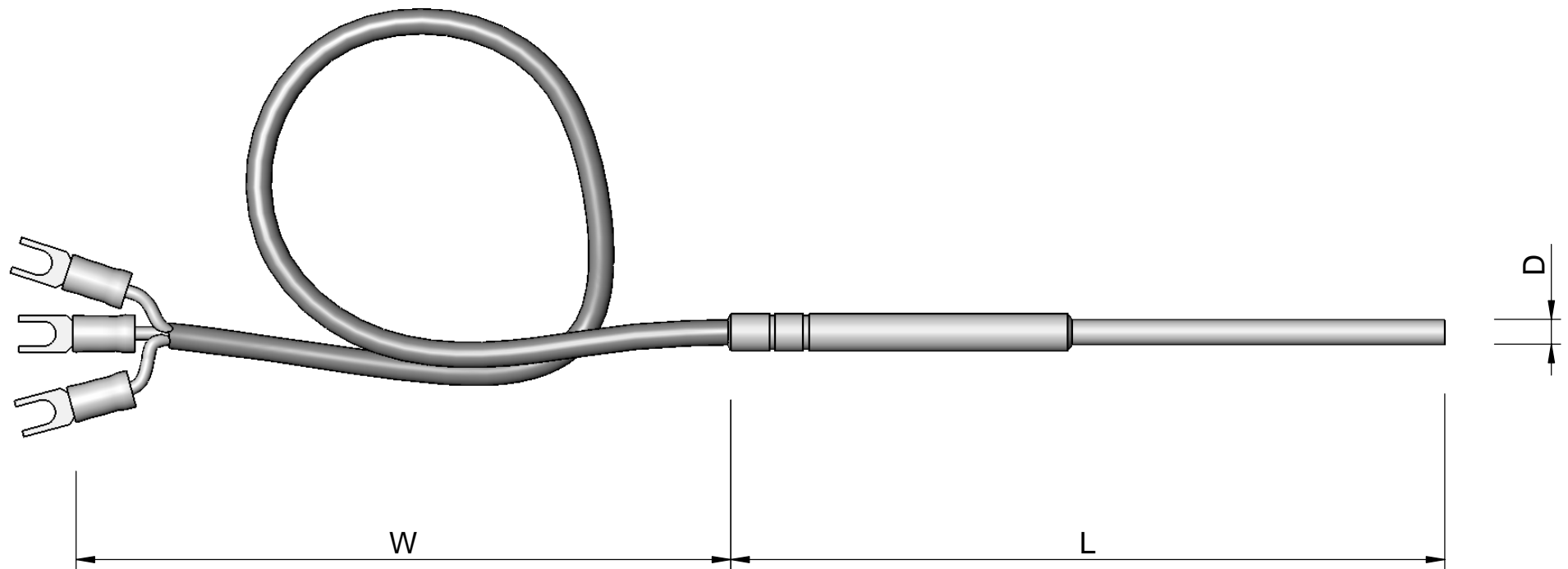
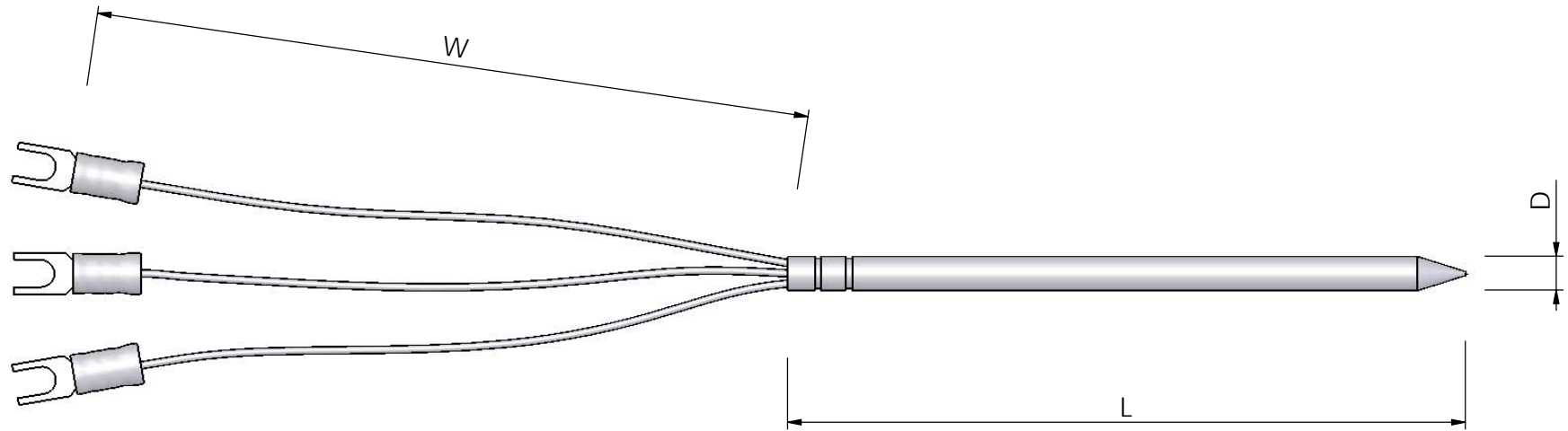


Temperature Probe - Silicone Wire



Temperature Probe -Teflon Wires



The probe can be made by custom orders with selection of L,W,D .
Tube diameters are ranging from 4.0 to 8.0 mm ,and the closed end
of probes are shapeable.

Other requirements, please contact :

PRC Technologies Corporation Ltd.

328/65 Ladprao 87 Rd,Wangthonglang,
Bangkok 10310

T:02 530-1714, 530-1619, 530-1621

F:02 530-1731

www.prctechnologies.co.th

Email:info@prctechnologies.co.th